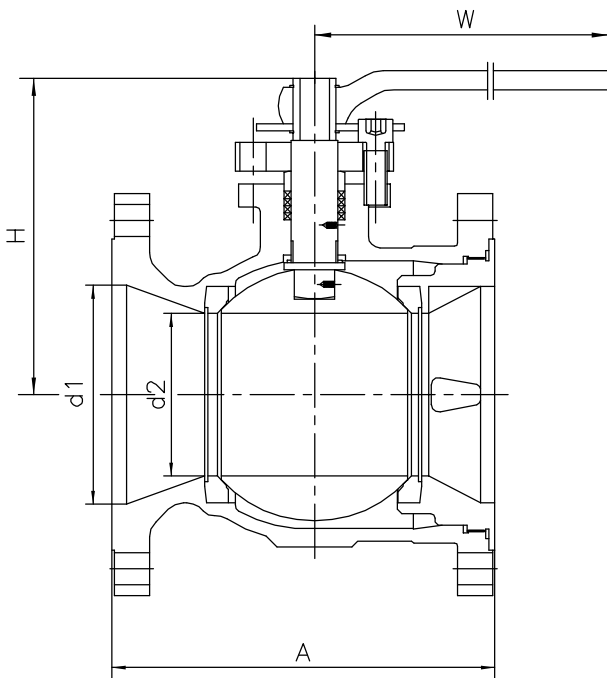


ONE PIECE REDUCED BORE FLOATING BALL VALVES – CLASS 150~300#

Size range: 2" to 10"



STANDARDS:

Design	API 6D & BS5351
Test	API 598
Face to Face Dimensions	ANSI B16.10
End Flange Dimensions	ANSI B16.5
Butt-Weld Ends	ANSI B16.25

Class 150# Fig No.31150F

DIMENSIONS AND WEIGHTS

Size inch	d1	d2	A (RF)	H	W	Weight (Kg)
2"	51	38	178	110	220	7.5
3"	76	64	203	145	380	17
4"	102	76	229	170	480	25
6"	152	102	394	245	650	56
8"	203	152	457	320	800	104
10"	254	203	533	340	1000	145

Class 300# Fig No.31300F

DIMENSIONS AND WEIGHTS

Size inch	d1	d2	A (RF)	H	W	Weight (Kg)
2"	51	38	216	110	220	12
3"	76	64	283	145	380	30
4"	102	76	305	170	480	48
6"	152	102	403	245	650	85
8"	203	152	502	320	800	160
10"	254	203	568	340	1000	300

Other Sizes: On request

RF: Flanged BW: Butt Weld

AVAILABLE OPTIONS:

STRUCTURE	End, Connection:	Flange Raised Face, Butt Weld, RTJ...
	Seat Rings:	Renewable
	Operation:	Lever, Gear, Electric, Pneumatic, Hydraulic...
MATERIALS	Body:	WCB, WC1, WC6, WC9, LCB, LCC, LC3, C5, C12, CF8, CF8M, CF3, CF3M, CF8C...
	Trims:	13%Cr, 304, 304L, 316, 316L, 321, 347, F-51, Monel...