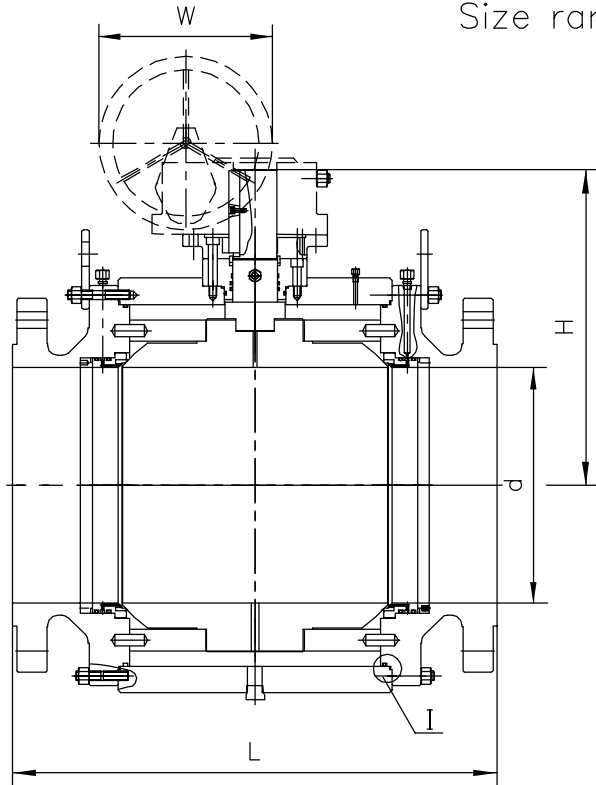


THREE PIECES TRUNNION BALL VALVES – CLASS 1500#

Size range: 2" to 24"



STANDARDS:	
Design	API 6D & BS5351
Test	API 598
Face to Face Dimensions	ANSI B16.10
End Flange Dimensions	ANSI B16.5
Butt-Weld Ends	ANSI B16.25

Class 1500# Fig No.331500T

DIMENSIONS AND WEIGHTS

Size inch	d	A (RF)	H	W	Weight (kg)
2"	51	368	200	400	65
3"	76	470	500	400	110
4"	102	546	600	600	167
6"	146	705	820	600	383
8"	184	832	900	750	800
10"	241	991	940	750	1190
12"	289	1130	1130	750	1810
14"	318	1257	1210	750	2500
16"	362	1384	1300	900	3270
18"	425	1537	1440	900	4350
20"	473	1664	1470	900	6050
24"	572	1943	1580	900	8800

Other Sizes: On request

RF: Flanged BW: Butt Weld

AVAILABLE OPTIONS:

STRUCTURE	End, Connection:	Flange Raised Face, Butt Weld, RTJ...
	Seat Rings:	Renewable
	Operation:	Lever, Gear, Electric, Pneumatic, Hydraulic...
MATERIALS	Body:	WCB, WC1, WC6, WC9, LCB, LCC, LC3, C5, C12, CF8, CF8M, CF3, CF3M, CF8C...
	Trims:	13%Cr, 304, 304L, 316, 316L, 321, 347, F-51, Monel...