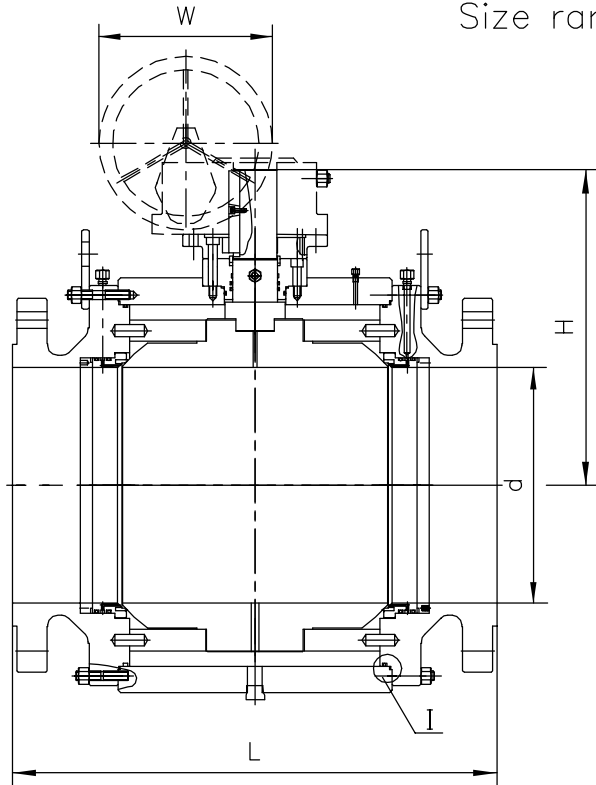


THREE PIECES TRUNNION BALL VALVES – CLASS 2500#

Size range: 2" to 12"



STANDARDS:	
Design	API 6D & BS5351
Test	API 598
Face to Face Dimensions	ANSI B16.10
End Flange Dimensions	ANSI B16.5
Butt-Weld Ends	ANSI B16.25

Class 2500# Fig No.332500T

DIMENSIONS AND WEIGHTS

Size inch	d	A (RF)	H	W	Weight (kg)
2"	44	451	215	600	80
3"	64	578	533	600	150
4"	89	673	660	750	230
6"	133	914	815	750	460
8"	181	1022	990	900	1000
10"	225	1270	1135	900	1400
12"	267	1422	1180	900	2175

Other Sizes: On request

RF: Flanged BW: Butt Weld

AVAILABLE OPTIONS:

STRUCTURE	End, Connection:	Flange Raised Face, Butt Weld, RTJ...
	Seat Rings:	Renewable
	Operation:	Lever, Gear, Electric, Pneumatic, Hydraulic...
MATERIALS	Body:	WCB, WC1, WC6, WC9, LCB, LCC, LC3, C5, C12, CF8, CF8M, CF3, CF3M, CF8C...
	Trims:	13%Cr, 304, 304L, 316, 316L, 321, 347, F-51, Monel...