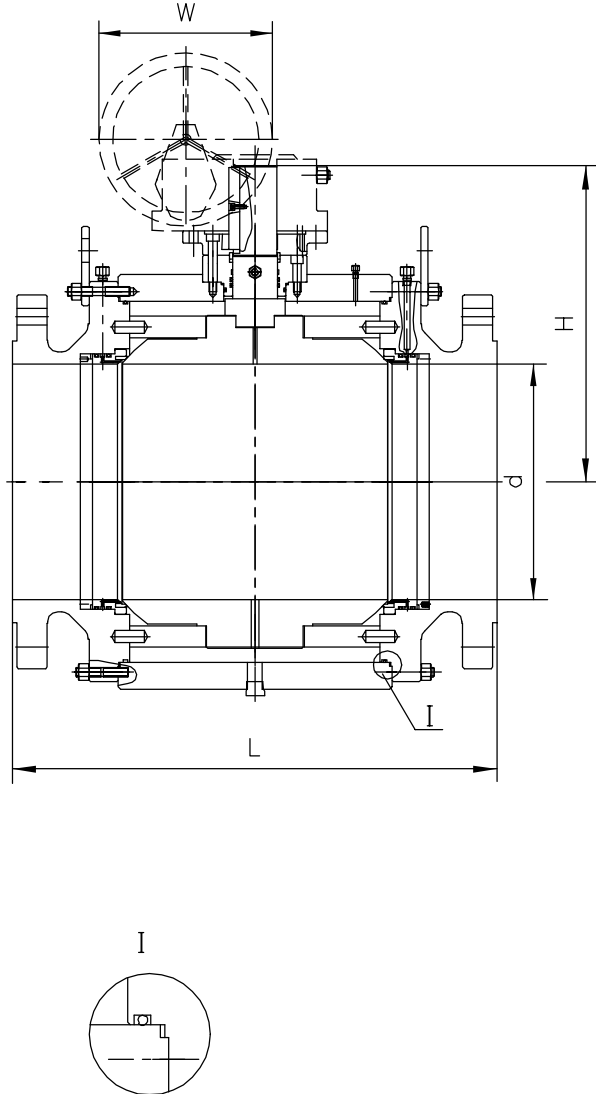


## THREE PIECES TRUNNION BALL VALVES – CLASS 300#

Size range: 2" to 42"



STANDARDS:	
Design	API 6D & BS5351
Test	API 598
Face to Face Dimensions	ANSI B16.10
End Flange Dimensions	ANSI B16.5(2" ~24") ANSI B16.47(26" ~42")
Butt-Weld Ends	ANSI B16.25

Class 300# Fig No.33300T  
DIMENSIONS AND WEIGHTS

Size inch	d	A (RF)	H	W	Weight (kg)
2"	51	216	165	400	32
3"	76	283	195	750	52
4"	102	305	230	1000	60
6"	152	403	330	1500	149
8"	203	502	395	400	260
10"	254	568	495	400	380
12"	305	648	580	400	650
14"	337	762	625	600	960
16"	387	838	670	600	1850
18"	438	914	700	750	1950
20"	489	991	840	750	2250
24"	591	1143	1050	750	2800
26"	635	1245	1150	750	3150
28"	686	1346	1210	900	3200
30"	737	1397	1300	900	3860
32"	781	1524	1375	900	4650
34"	832	1626	1425	900	5330
36"	876	1727	1500	900	6050
40"	978	1905	1600	900	6900
42"	1022	1930	1700	900	7500

Other Sizes: On request  
RF: Flanged      BW: Butt Weld  
2" ~6" LEVER OPERATED

AVAILABLE OPTIONS:

STRUCTURE	End, Connection:	Flange Raised Face, Butt Weld, RTJ...
	Seat Rings:	Renewable
	Operation:	Lever, Gear, Electric, Pneumatic, Hydraulic...
MATERIALS	Body:	WCB, WC1, WC6, WC9, LCB, LCC, LC3, C5, C12, CF8, CF8M, CF3, CF3M, CF8C...
	Trims:	13%Cr, 304, 304L, 316, 316L, 321, 347, F-51, Monel...