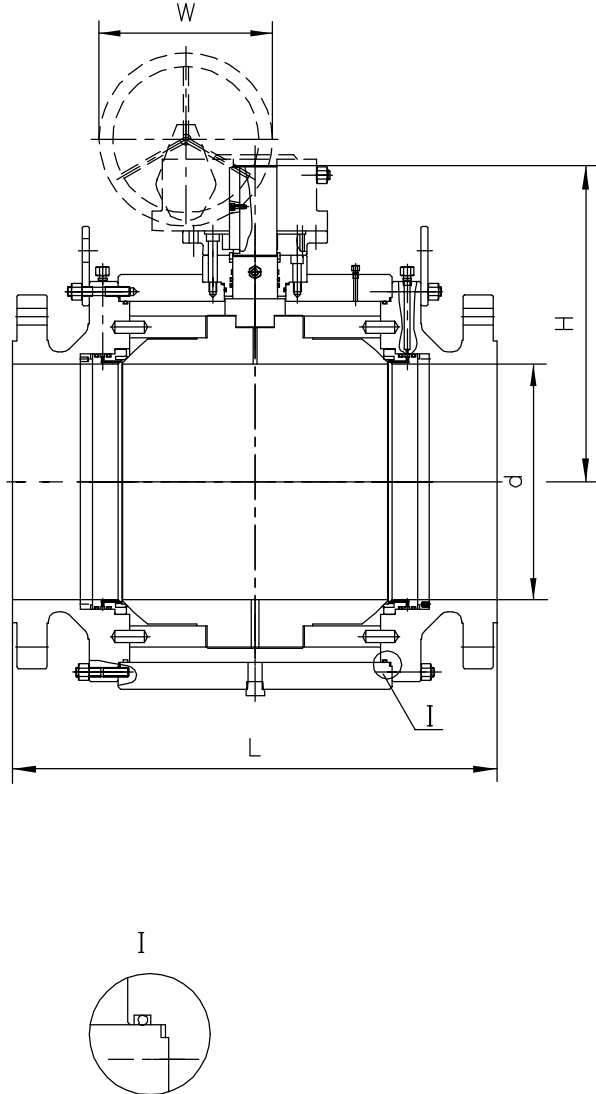


THREE PIECES TRUNNION BALL VALVES – CLASS 600#

Size range: 2" to 42"



STANDARDS:	
Design	API 6D & BS5351
Test	API 598
Face to Face Dimensions	ANSI B16.10
End Flange Dimensions	ANSI B16.5(2" ~24")
	ANSI B16.47(26" ~42")
Butt-Weld Ends	ANSI B16.25

Class 600# Fig No.33600T
DIMENSIONS AND WEIGHTS

Size inch	d	A (RF)	H	W	Weight (kg)
2"	51	292	165	400	45
3"	76	356	195	750	65
4"	102	432	230	1000	100
6"	152	559	330	1500	250
8"	203	660	395	400	450
10"	254	787	495	400	750
12"	305	838	580	600	900
14"	337	889	625	600	1250
16"	387	991	670	750	2450
18"	438	1092	700	750	2400
20"	489	1194	840	750	2850
24"	591	1397	1050	750	3421
26"	635	1448	1150	750	3955
28"	686	1549	1210	900	4900
30"	737	1651	1300	900	5805
32"	781	1778	1375	900	6840
34"	832	1930	1425	900	7925
36"	876	2083	1500	900	9900
40"	978	2337	1600	900	13290
42"	1022	2388	1700	900	14700

Other Sizes: On request
RF: Flanged BW: Butt Weld
2" ~6" LEVER OPERATED

AVAILABLE OPTIONS:

STRUCTURE	End, Connection:	Flange Raised Face, Butt Weld, RTJ...
	Seat Rings:	Renewable
	Operation:	Lever, Gear, Electric, Pneumatic, Hydraulic...
MATERIALS	Body:	WCB, WC1, WC6, WC9, LCB, LCC, LC3, C5, C12, CF8, CF8M, CF3, CF3M, CF8C...
	Trims:	13%Cr, 304, 304L, 316, 316L, 321, 347, F-51, Monel...