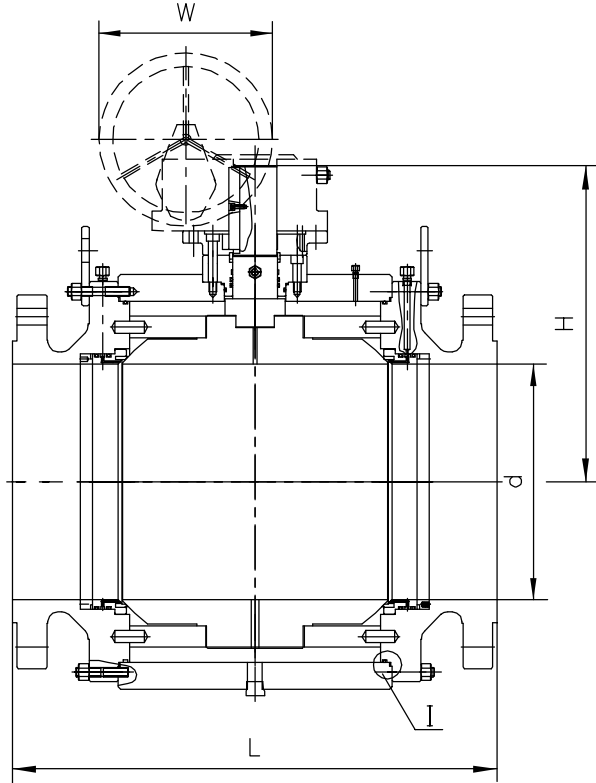


THREE PIECES TRUNNION BALL VALVES – CLASS 900#

Size range: 2" to 36"



STANDARDS:	
Design	API 6D & BS5351
Test	API 598
Face to Face Dimensions	ANSI B16.10
End Flange Dimensions	ANSI B16.5(2" ~24") ANSI B16.47(26" ~36")
Butt-Weld Ends	ANSI B16.25

Class 900# Fig No.33900T
DIMENSIONS AND WEIGHTS

Size inch	d	A (RF)	H	W	Weight (kg)
2"	51	368	200	600	57
3"	76	381	350	900	74
4"	102	457	580	400	140
6"	152	610	680	400	320
8"	203	737	800	600	655
10"	254	838	860	600	1010
12"	305	965	940	600	1450
14"	324	1029	1130	600	1985
16"	375	1130	1257	750	2475
18"	425	1219	1385	750	3260
20"	473	1321	1440	750	4250
24"	572	1549	1520	750	6075
26"	619	1676	1570	750	6900
28"	667	1803	1600	900	8800
30"	714	1905	1650	900	10700
32"	762	2032	1720	900	12800
34"	810	2159	1720	900	14600
36"	857	2286	1770	900	17000

Other Sizes: On request
RF: Flanged BW: Butt Weld
2" ~3" LEVER OPERATED

AVAILABLE OPTIONS:

STRUCTURE	End, Connection:	Flange Raised Face, Butt Weld, RTJ...
	Seat Rings:	Renewable
	Operation:	Lever, Gear, Electric, Pneumatic, Hydraulic...
MATERIALS	Body:	WCB, WC1, WC6, WC9, LCB, LCC, LC3, C5, C12, CF8, CF8M, CF3, CF3M, CF8C...
	Trims:	13%Cr, 304, 304L, 316, 316L, 321, 347, F-51, Monel...