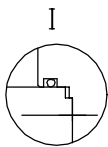
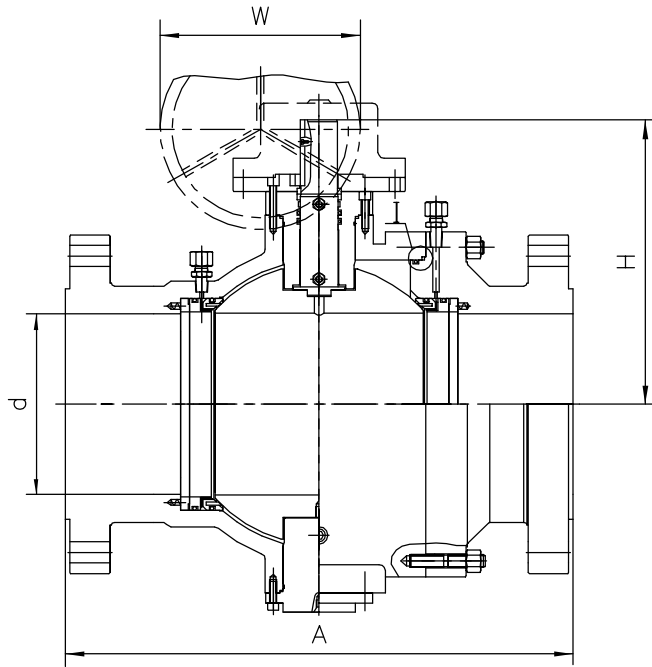


TWO PIECES TRUNNION BALL VALVES – CLASS 150~600#

Size range: 2" to 12"



2" ~6" LEVER OPERATED
 Other Sizes: On request
 RF: Flanged BW: Butt Weld

STANDARDS:	
Design	API 6D & BS5351
Test	API 598
Face to Face Dimensions	ANSI B16.10
End Flange Dimensions	ANSI B16.5
Butt-Weld Ends	ANSI B16.25

Class 150# Fig No.32150T
 DIMENSIONS AND WEIGHTS

Size inch	d	A (RF)	H	W	Weight (kg)
2"	51	178	165	230	20
3"	76	203	195	400	35
4"	102	229	230	700	60
6"	152	394	330	1100	100
8"	203	457	395	400	200
10"	254	533	495	400	300
12"	305	610	580	400	520

Class 300# Fig No.32300T
 DIMENSIONS AND WEIGHTS

Size inch	d	A (RF)	H	W	Weight (kg)
2"	51	216	165	230	22
3"	76	283	195	400	42
4"	102	305	230	700	73
6"	152	403	330	1100	160
8"	203	502	395	400	280
10"	254	568	495	400	350
12"	305	648	580	400	600

Class 600# Fig No.32600T
 DIMENSIONS AND WEIGHTS

Size inch	d	A (RF)	H	W	Weight (kg)
2"	51	292	165	400	32
3"	76	356	195	750	55
4"	102	432	230	1000	90
6"	152	559	330	1500	230
8"	203	660	395	400	390
10"	254	787	495	400	650
12"	305	838	580	400	850

AVAILABLE OPTIONS:

STRUCTURE	End, Connection:	Flange Raised Face, Butt Weld, RTJ...
	Seat Rings:	Renewable
	Operation:	Lever, Gear, Electric, Pneumatic, Hydraulic...
MATERIALS	Body:	WCB, WC1, WC6, WC9, LCB, LCC, LC3, C5, C12, CF8, CF8M, CF3, CF3M, CF8C...
	Trims:	13%Cr, 304, 304L, 316, 316L, 321, 347, F-51, Monel...