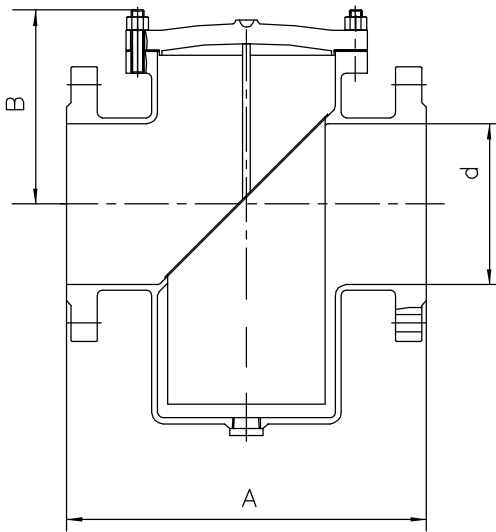


## BASKET STRAINER—Class 150#

Size range: 2" to 12"



| STANDARDS:              |             |
|-------------------------|-------------|
| Design                  | ANSI B16.34 |
| Test                    | API 598     |
| Face to Face Dimensions | ANSI B16.34 |
| End Flange Dimensions   | ANSI B16.5  |

Class 150# Fig NO.1150  
DIMENSIONS AND WEIGHTS

| Size inch | d   | A RF | B   | Weight(kg) RF |
|-----------|-----|------|-----|---------------|
| 2"        | 51  | 219  | 145 | 9.5           |
| 3"        | 76  | 295  | 206 | 18            |
| 4"        | 102 | 362  | 228 | 29            |
| 6"        | 152 | 473  | 329 | 46            |
| 8"        | 203 | 619  | 440 | 102           |
| 10"       | 254 | 660  | 507 | 152           |
| 12"       | 305 | 771  | 594 | 210           |

Other Sizes: On request  
RF: Flanged      BW: Butt Weld

AVAILABLE OPTIONS:

|             |   |
|-------------|---|
| STRUCTURE   | End, Connection: Flange Raised Face, Butt Weld, RTJ...                          |
|             |   |
| * MATERIALS | Body: WCB, WC1, WC6, WC9, LCB, LCC, LC3, C5, C12, CF8, CF8M, CF3, CF3M, CF8C... |
|             | Trims: 13%Cr, 304, 304L, 316, 316L, 321, 347, F-51, Monel...                    |

\*Please refer to page of "Build Material"