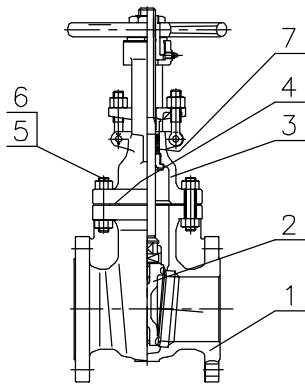
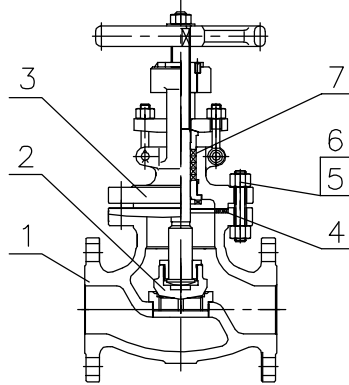


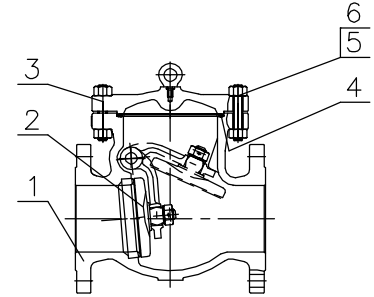
BUILD MATERIALS



GATE VALVES



GLOBE VALVES



CHECK VALVES

No.	PART NAME	WCB	WC1	WC6	WC9
1	Body	A216 WCB	A217 WC1	A217 WC6	A217 WC9
2	Disc	A216 WCB	A217 WC1	A217 WC6	A217 WC9
3	Bonnet	A216 WCB	A217 WC1	A217 WC6	A217 WC9
4	Bonnet Gasket				
	Class 150	Corrugated Iron	Corrugated 304	Corrugated 304	Corrugated 304
	Class300,600	SW 304/Graphite	SW 304/Graphite	SW 304/Graphite	SW 304/Graphite
	Class900,1500,2500	RTJ Soft Iron	RTJ 304	RTJ 304	RTJ 304
5	Bonnet Bolts	A 193 B7	A 193 B7	A 193 B7	A 193 B7
6	Bonnet Bolts Nuts	A 194 2H	A 194 2H	A 194 2H	A 194 2H
7	Packing	Graphite	Graphite	Graphite	Graphite

No.	PART NAME	C5	C12	LCB	LCC
1	Body	A217 C5	A217 C12	A352 LCB	A352 LCC
2	Disc	A217 C5	A217 C12	A352 LCB	A352 LCC
3	Bonnet	A217 C5	A217 C12	A352 LCB	A352 LCC
4	Bonnet Gasket				
	Class 150	Corrugated 304	Corrugated 304	Corrugated 304	Corrugated 304
	Class300,600	SW 304/Graphite	SW 304/Graphite	SW 304/Graphite	SW 304/Graphite
	Class900,1500,2500	RTJ 304	RTJ 304	RTJ 304	RTJ 304
5	Bonnet Bolts	A 193 B7	A 193 B7	A 193 B7	A 193 B7
6	Bonnet Bolts Nuts	A 194 2H	A 194 2H	A 194 2H	A 194 2H
7	Packing	Graphite	Graphite	Graphite	Graphite

No.	PART NAME	LC3	CF8	CF8M	CF3
1	Body	A352 LC3	A351 CF8	A351 CF8M	A351 CF3
2	Disc	A352 LC3	A351 CF8	A351 CF8M	A351 CF3
3	Bonnet	A352 LC3	A351 CF8	A351 CF8M	A351 CF3
4	Bonnet Gasket				
	Class 150	Corrugated 304	Corrugated 304	Corrugated 316	Corrugated 304L
	Class300,600	SW 304/Graphite	SW 304/Graphite	SW 316/Graphite	SW 304L/Graphite
	Class900,1500,2500	RTJ 304	RTJ 304	RTJ 316	RTJ 304L
5	Bonnet Bolts	A 193 B7	A 193 B8	A 193 B8	A 193 B8
6	Bonnet Bolts Nuts	A 194 2H	A 194 8	A 194 8	A 194 8
7	Packing	Graphite	PTFE	PTFE	PTFE