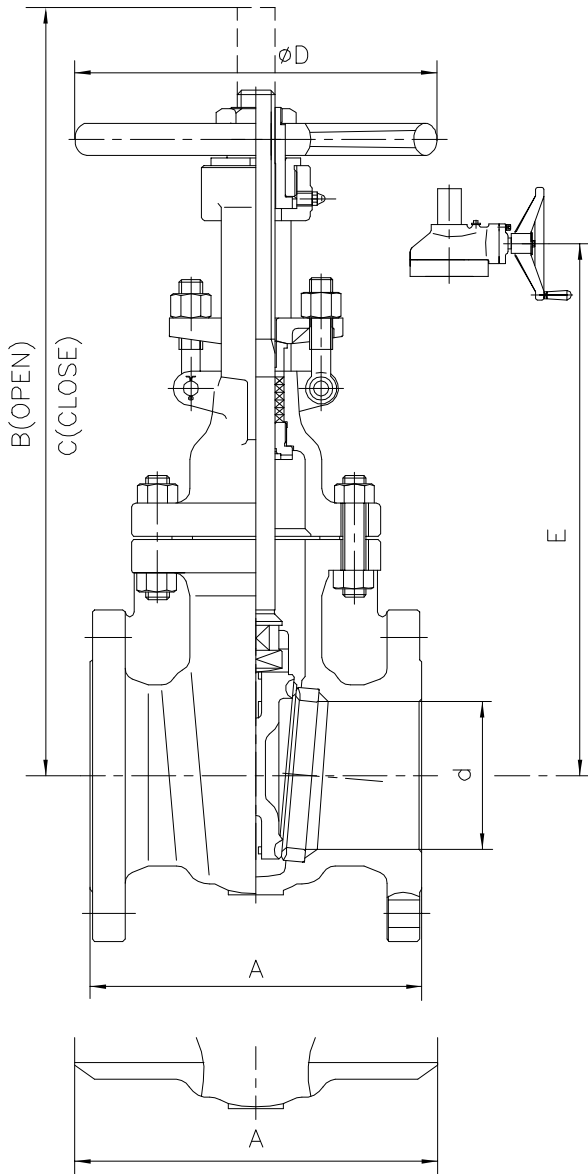


GATE VALVES—Class 150#

Size range: 2" to 72"



STANDARDS:

Design	ANSI B16.34&API 600
Test	API 598
Face to Face Dimensions	ANSI B16.10
End Flange Dimensions	ANSI B16.5(2" ~ 24")
	ANSI B16.47(30" ~ 48")
Butt-Weld Ends	ANSI B16.25

Class 150# Fig NO. 57(RF/RTJ)

57 1/2 (BW)

DIMENSIONS AND WEIGHTS

Size inch	d	A		B (OPEN)	C (CLOSE)	D	E	Weight(kg)	
		RF	BW					RF & BW	RF & BW
2"	51	178	216	372	312	216		20	17
3"	76	203	282	478	394	230		36	29
4"	102	229	305	573	460	254		53	46
6"	152	267	403	790	625	310		85	77
8"	203	292	419	975	760	380		136	116
10"	254	330	457	1174	920	457		220	202
12"	305	356	502	1409	1085	510		323	294
14"	337	381	572	1564	1200	560	1287	387	350
16"	387	406	610	1773	1361	610	1448	553	506
18"	438	432	660	2004	1539	700	1639	660	575
20"	489	457	711	2227	1702	700	1802	810	720
24"	591	508	813	2620	2007	800	2107	1250	1130
30"	743	610	914	3292	2500	1100	2643	1700	1598
36"	878	711	1016	4068	3150	1300	3343	3235	3100
42"	1025	813	1092	4280	3200	1300	3393	4650	4500
48"	1169	864	1168	4858	3658	1300	3751	6850	6650

Other Sizes and materials: On request

RF: Flanged BW: Butt Weld

Sizes 14" and larger the use of gear actuator is recommended.

AVAILABLE OPTIONS:

STRUCTURE	End Connection:	Flange Raised Face, Butt Weld, RTJ...
	Seat Rings:	Threaded (Renewable), Welded
	Operation:	Handwheel, Gear, Electric, Pneumatic, Hydraulic...
* MATERIALS	Body:	WCB, WC1, WC6, WC9, LCB, LCC, LC3, C5, C12, CF8, CF8M, CF3, CF3M, CF8C...
	Trims:	13%Cr, 304, 304L, 316, 316L, 321, 347, F-51, Monel...
ACCESSORIES	Limited switch, Sealing water connection, Bypass, Drain, Equalizing pipes and Etc.	

*Please refer to page of "Build Material"