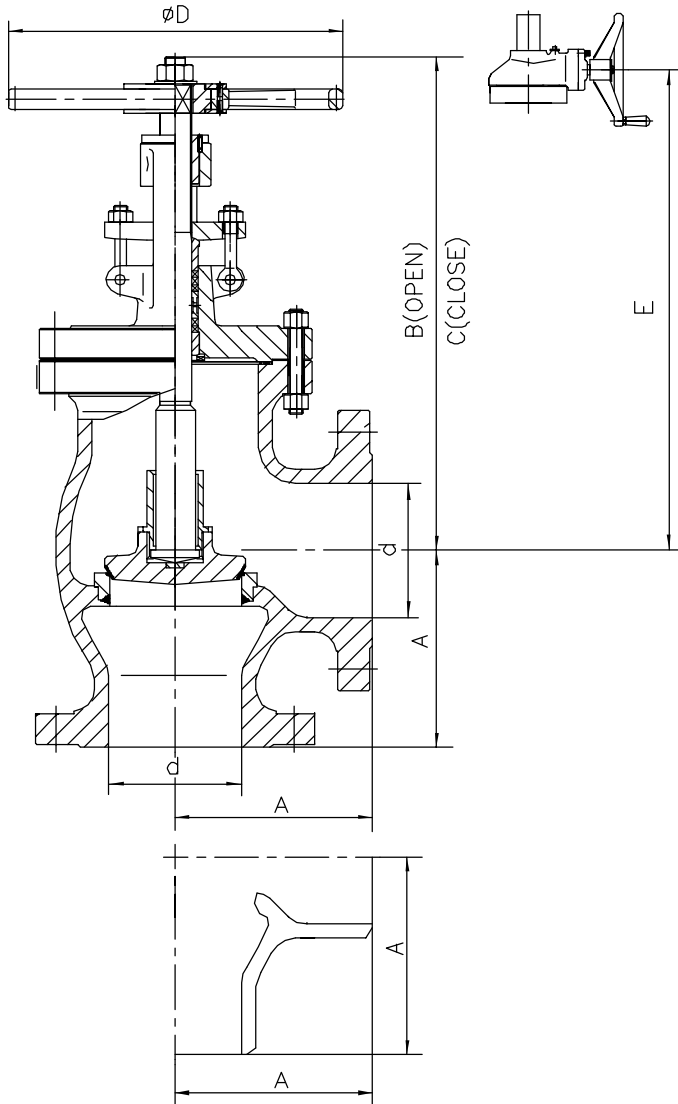


ANGLE GLOBE VALVES—Class 150#, 300#, 600#



Size range: 2" to 16"

Class 150# Fig NO. 243(RF/RTJ)
243 1/2 (BW)

DIMENSIONS AND WEIGHTS

Size inch	d	A RF & BW	B (OPEN)	C (CLOSE)	D	E	Weight(kg) RF & BW	
2"	51	102	309	284	216		30	26
3"	76	121	399	361	254		55	45
4"	102	146	457	406	310		75	60
6"	152	203	574	511	457		110	90
8"	203	248	689	618	560		150	110
10"	254	311	834	737	560	810	370	320
12"	305	349	923	813	610	900	580	490

Class 300# Fig NO. 251(RF/RTJ)
251 1/2 (BW)

DIMENSIONS AND WEIGHTS

Size inch	d	A RF & BW	B (OPEN)	C (CLOSE)	D	E	Weight(kg) RF & BW	
2"	51	133	376	350	200		45	35
3"	76	159	524	488	250		70	55
4"	102	178	617	572	350		105	80
6"	152	222	741	678	450		190	155
8"	203	279	879	808	560		340	290
10"	254	311	834	851	560	920	460	400
12"	305	356	996	890	640	970	790	690

Class 600# Fig NO. 271(RF/RTJ)
271 1/2 (BW)

DIMENSIONS AND WEIGHTS

Size inch	d	A RF & BW	B (OPEN)	C (CLOSE)	D	E	Weight(kg) RF & BW	
2"	51	146	458	403	250		70	45
3"	76	178	522	491	350		110	80
4"	102	216	677	580	450		170	120
6"	152	279	841	831	500		380	280
8"	200	330	996	862	560	920	530	400
10"	248	394	1040	952	640	1020	770	640
12"	298	419	1275	1175	640	1250	980	845

Other Sizes and materials: On request

RF: Flanged BW: Butt Weld

* Disc: Conical design available on request.

STANDARDS:

Design	ANSI B16.34&BS 1873
Test	API 598
Face to Face Dimensions	ANSI B16.10
End Flange Dimensions	ANSI B16.5
Butt-Weld Ends	ANSI B16.25

AVAILABLE OPTIONS:

STRUCTURE	End, Connection: Flange Raised Face, Butt Weld, RTJ...
	Seat Rings: Threaded (Renewable), Welded
	Operation: Handwheel, Gear, Electric, Pneumatic, Hydraulic...
* MATERIALS	Body: WCB, WC1, WC6, WC9, LCB, LCC, LC3, C5, C12, CF8, CF8M, CF3, CF3M, CF8C...
	Trims: 13%Cr, 304, 304L, 316, 316L, 321, 347, F-51, Monel...

*Please refer to page of "Build Material"