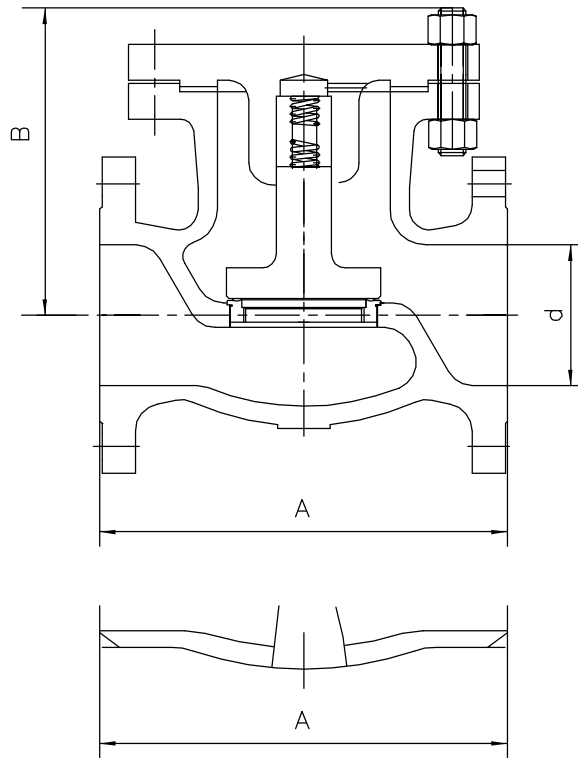


PISTON CHECK VALVES—Class 900#, 1500#, 2500#

Size range: 2" to 10"



Class 900# Fig NO.7900-PL(RF/RTJ)
7900 1/2-PL(BW)

DIMENSIONS AND WEIGHTS

Size inch	d	A		B		Weight(kg)	
		RF & BW				RF & BW	
2"	47	368		230		73	62
3"	73	381		255		95	81
4"	98	457		290		145	111
6"	146	610		393		320	298
8"	191	737		487		600	525
10"	238	838		535		940	812

Class 1500# Fig NO.71500-PL(RF/RTJ)
71500 1/2 -PL(BW)

DIMENSIONS AND WEIGHTS

Size inch	d	A		B		Weight(kg)	
		RF & BW				RF & BW	
2"	47	368		230		73	51
3"	70	470		305		139	105
4"	92	546		326		240	186
6"	136	705		461		500	385
8"	178	832		610		940	816
10"	222	991		725		1700	1582

Class 2500# Fig NO.72500-PL(RF/RTJ)
72500 1/2 -PL(BW)

DIMENSIONS AND WEIGHTS

Size inch	d	A		B		Weight(kg)	
		RF & BW				RF & BW	
2"	38	451		275		120	101
3"	57	578		345		225	198
4"	73	673		377		425	378
6"	111	914		492		800	718
8"	146	1022		650		1800	1616
10"	184	1270		840		3200	2875

Other Sizes: On request

RF: Flanged BW: Butt Weld

STANDARDS:

Design	ANSI B16.34&BS1868
Test	API 598
Face to Face Dimensions	ANSI B16.10
End Flange Dimensions	ANSI B16.5
Butt-Weld Ends	ANSI B16.25

AVAILABLE OPTIONS:

STRUCTURE	End, Connection: Flange Raised Face, Butt Weld, RTJ...
	Seat Rings: Threaded (Renewable), Welded
* MATERIALS	Body: WCB, WC1, WC6, WC9, LCB, LCC, LC3, C5, C12, CF8, CF8M, CF3, CF3M, CF8C...
	Trims: 13%Cr, 304, 304L, 316, 316L, 321, 347, F-51, Monel...

*Please refer to page of "Build Material"