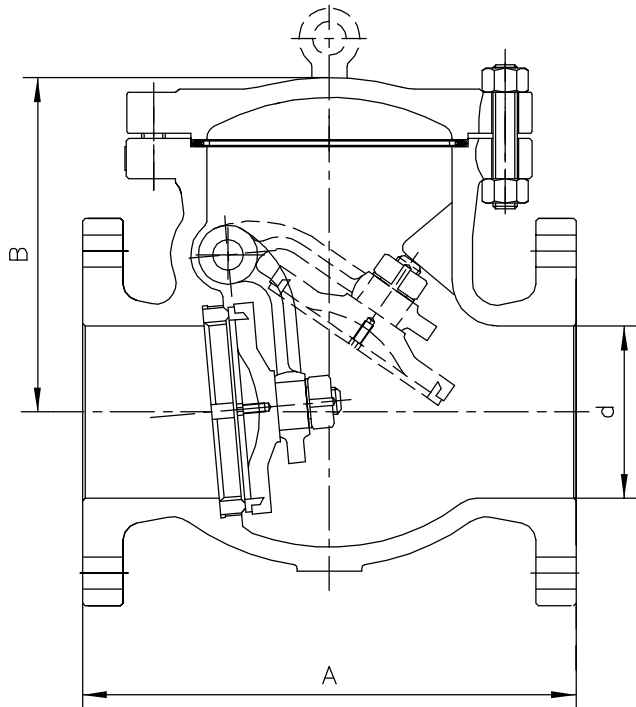


CAST IRON SWING CHECK VALVES—CLASS 125#

Size range: 2" to 24"

STANDARDS:	
Design	MSS SP-71
Test	MSS SP-71
Face to Face Dimensions	ANSI B16.10
End Flange Dimensions	ANSI B16.1



CLASS 125# Fig No.503125
DIMENSIONS AND WEIGHTS

Size inch	d	A (FF)	B	Weight (Kg)
2"	51	203	153	13.5
2½"	64	216	161	19.5
3"	76	241	175	25
4"	102	292	219	39
5"	127	330	225	59
6"	152	356	256	70
8"	203	495	298	127
10"	254	622	376	185
12"	305	699	410	270
14"	337	787	444	377
16"	387	914	501	522
18"	438	914	437	785
20"	489	1016	489	1180
24"	591	1219	657	1600

Other Sizes:On request FF:Flat Flanged

AVAILABLE OPTIONS:

STRUCTURE	End,Connection: Flange Flat Face...
	Seat Rings: Threaded(Renewable)
MATERIALS	Body: Gray Cast Iron, Ductile Iron...
	Trims: Stainless Steel, Brass, Bronze...