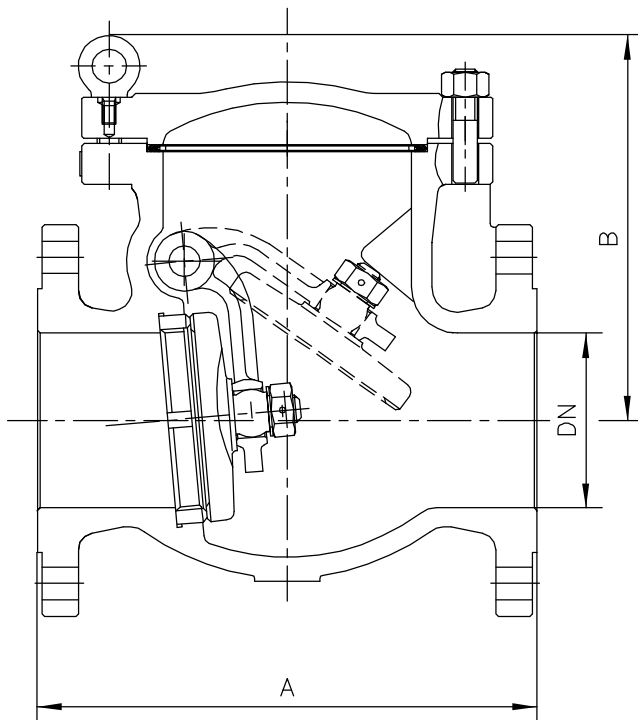


CAST IRON SWING CHECK VALVES—PN16

Size range: DN50 to DN200

STANDARDS:	
Design	DIN 3202
Test	DIN 3230
Face to Face Dimensions	DIN 3202 F6
End Flange Dimensions	DIN 2533



PN 16 Fig No.50316
DIMENSIONS AND WEIGHTS

Size DN	A (RF)	B	Weight (kg)
50	200	150	15
65	240	160	21
80	260	170	27
100	300	180	42
125	350	215	61
150	400	260	72
200	500	294	132

Other Sizes:On request RF:Flanged

AVAILABLE OPTIONS:

STRUCTURE	End,Connection: Flange Raised Face...
	Seat Rings: Threaded(Renewable)
MATERIALS	Body: Gray Cast Iron, Ductile Iron...
	Trims: Stainless Steel, Brass, Bronze...