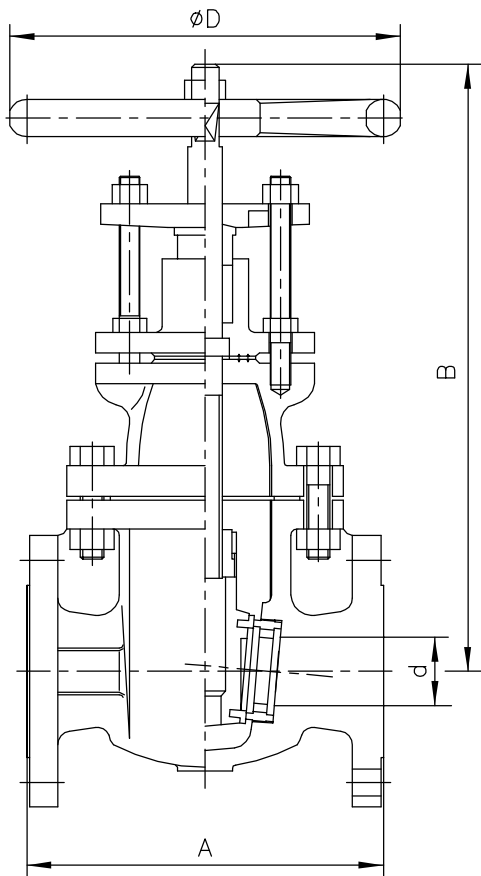


NON-RISING STEM WEDGE GATE VALVES-PN16

Size range: DN50 to DN600

STANDARDS:	
Design	BS 5150
Test	BS 6755
Face to Face Dimensions	BS 5150
End Flange Dimensions	BS 4504



BS5150 PN16 Fig No.51116

DIMENSIONS AND WEIGHTS

Size DN	A (RF)	B	D	Weight (kg)
50	178	309	180	14.5
65	190	324	180	17
80	203	370	200	25
100	229	430	200	42
125	254	475	240	57
150	267	538	240	70
200	292	678	350	110
250	330	750	400	185
300	356	880	450	260
350	381	940	508	320
400	406	1080	558	490
450	432	1180	610	548
500	457	1380	640	678
600	508	1460	640	920

Other Sizes:On request

RF:Flanged

AVAILABLE OPTIONS:

STRUCTURE	End,Connection: Flange Raised Face...
	Seat Rings: Threaded(Renewable)
	Operation: Handwheel,Gear,Electric,Pneumatic,Hydraulic...
MATERIALS	Body: Gray Cast Iron, Ductile Iron...
	Trims: Copper Alloy, Stainless Steel, Carbon Steel...