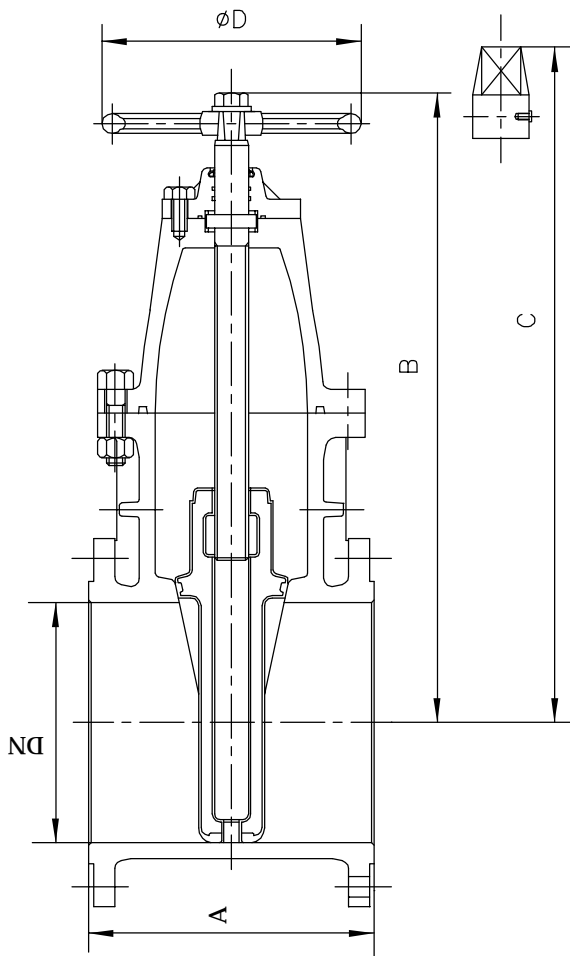


## RESILIENT-SEATED GATE VALVES-PN10,PN16

Size range: DN50 to DN300



### STANDARDS:

Design	BS 5150/5163, DIN 3352, ANSI/AWWA C509
Test	BS 5150/5163, DIN 3352, ANSI/AWWA C509
Face to Face Dimensions	DIN 2532/BS 2080/ANSI B16.10
End Flange Dimensions	BS4504/DIN 2532/ANSI B16.5

PN10 Fig No.51110-RS  
DIMENSIONS AND WEIGHTS

Size DN	A BS 5150/5163	A DIN 3352	B	C	D	Weight (Kg)
50	178	250	278	368	200	13
65	190	270	302	392	200	16.5
80	203	280	339	429	240	24.5
100	229	300	377	467	240	41
125	254	325	430	540	285	55
150	267	350	497	607	300	67
200	292	400	600	710	360	107
250	330	450	711	820	400	165
300	356	500	796	906	450	263

PN16 Fig No.51116-RS  
DIMENSIONS AND WEIGHTS

Size DN	A BS 5150/5163	A DIN 3352	A ANSI/AWWA C509	B	C	D	Weight (Kg)
50	178	250	178	278	368	200	13.5
65	190	270	190	302	392	200	17
80	203	280	203	339	429	240	25.5
100	229	300	229	377	467	240	42
125	254	325	254	430	540	285	57
150	267	350	267	497	607	300	69
200	292	400	292	600	710	360	110
250	330	450	330	711	820	400	168
300	356	500	356	796	906	450	270

Other Sizes: On request RF: Flanged

### AVAILABLE OPTIONS:

STRUCTURE	End, Connection: Flange Raised Face...
	Seat Rings: Threaded (Renewable)
	Operation: Handwheel, Gear, Electric, Pneumatic, Hydraulic...
MATERIALS	Body: Gray Cast Iron, Ductile Iron...
	Trims: NBR Coated Cast Iron, Ductile, Stainless Steel, Brass...