



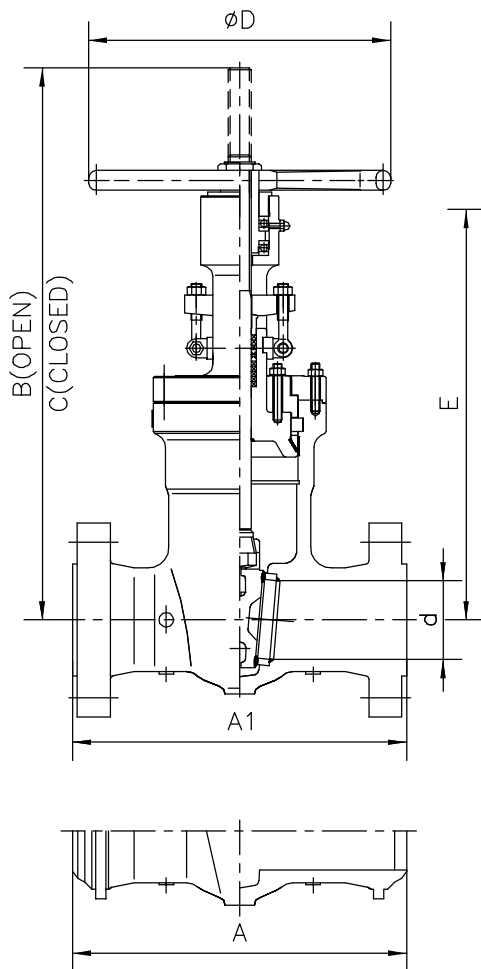
FLUVAL

# PRESSURE SEAL BONNET VALVES

## GATE VALVES—CLASS 1500#

Size range: 2" to 24"

STANDARDS:	
Design	ANSI B16.34 & API 600
Test	API 598
Face to Face Dimensions	ANSI B16.10
End Flange Dimensions	ANSI B16.5
Butt-Weld Ends	ANSI B16.25



Class 1500# FIG 51500 PS  
DIMENSIONS AND WEIGHTS

Size inch	d	A1 (RF)	A (BW)	B (OPEN)	C (CLOSE)	D	E	Weight (Kg)(BW)
2"	47	368	216	424	365	350		28
3"	73	470	305	557	477	450		50
4"	92	546	406	667	570	450		86
6"	136	705	559	927	785		835	215
8"	178	832	711	1175	995		1045	450
10"	222	991	864	1424	1206		1261	675
12"	263	1130	991	1667	1412		1459	1070
14"	289	1257	1067	1803	1520		1595	1410
16"	330	1384	1194	2015	1688		1783	2100
18"	371	1537	1346	2230	1860		1935	3050
20"	476	1664	1473	2420	2012		2087	3800
24"	498	1943	1753	3275	2730		2815	7600

Other Sizes: On request

BW: Butt Weld

Sizes 6" and larger the use of gear actuator is recommended

AVAILABLE OPTIONS:

STRUCTURE	End, Connection:	Flange Raised Face, Butt Weld, RTJ...
	Seat Rings:	Threaded (Renewable), Welded
	Operation:	Handwheel, Gear, Electric, Pneumatic, Hydraulic...
MATERIALS	Body:	WCB, WC1, WC6, WC9, LCB, LCC, LC3, C5, C12, CF8, CF8M, CF3, CF3M, CF8C...
	Trims:	13%Cr, 304, 304L, 316, 316L, 321, 347, F-51, Monel...