

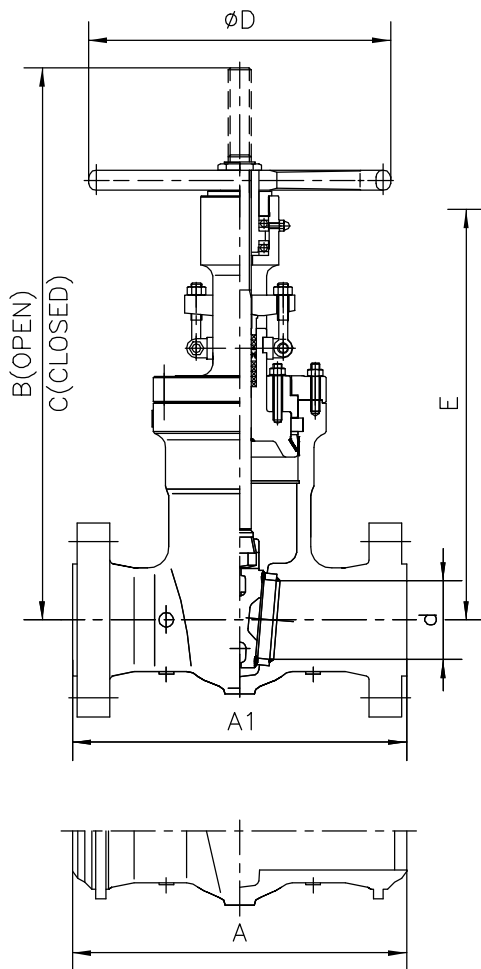


FLUVAL

PRESSURE SEAL BONNET VALVES

GATE VALVES—CLASS 2500#

Size range: 2" to 20"



STANDARDS:	
Design	ANSI B16.34 & API 600
Test	API 598
Face to Face Dimensions	ANSI B16.10
End Flange Dimensions	ANSI B16.5
Butt-Weld Ends	ANSI B16.25

Class 2500# FIG 52500 PS
DIMENSIONS AND WEIGHTS

Size inch	d	A1 (RF)	A (BW)	B (OPEN)	C (CLOSE)	D	E	Weight (Kg)(BW)
2"	38	451	279	450	400	350		37
3"	57	578	368	623	330	500		75
4"	73	673	457	718	625	600		160
6"	111	914	610	1043	908		953	410
8"	146	1022	762	1400	1185		1285	820
10"	184	1270	914	1690	1472		1325	1421
12"	219	1422	1041	1910	1654		1729	2140
14"	241		1118	2190	1913		1988	3170
16"	276		1245	2410	2088		2163	4710
18"	311		1397	2800	2425		2520	6275
20"	343		1549	3070	2660		2755	7970

Other Sizes: On request

BW: Butt Weld

Sizes 6" and larger the use of gear actuator is recommended

AVAILABLE OPTIONS:

STRUCTURE	End, Connection:	Flange Raised Face, Butt Weld, RTJ...
	Seat Rings:	Threaded (Renewable), Welded
	Operation:	Handwheel, Gear, Electric, Pneumatic, Hydraulic...
MATERIALS	Body:	WCB, WC1, WC6, WC9, LCB, LCC, LC3, C5, C12, CF8, CF8M, CF3, CF3M, CF8C...
	Trims:	13%Cr, 304, 304L, 316, 316L, 321, 347, F-51, Monel...