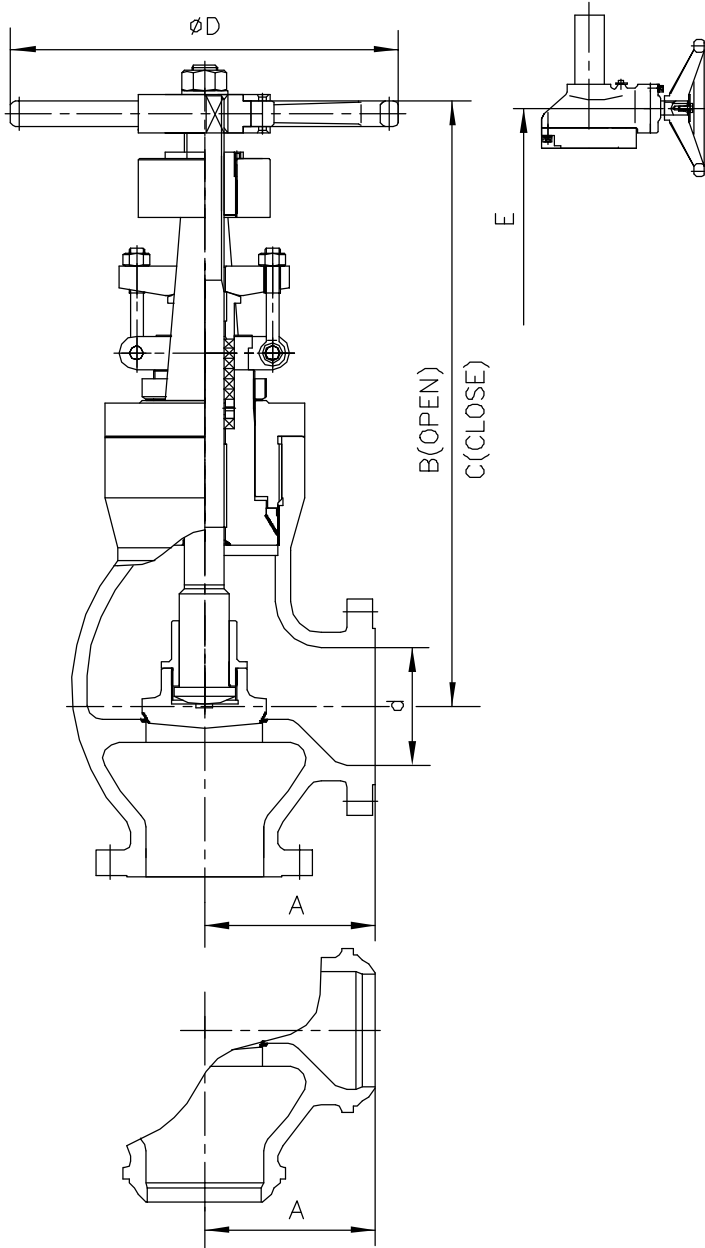




FLUVAL

# PRESSURE SEAL BONNET VALVES

ANGLE-TYPE GLOBE VALVES-CLASS 600~900#



Size range: 2" to 18"

Class 600# FIG 6600 PSA  
DIMENSIONS AND WEIGHTS

Size inch	d	A RF&BW	B (OPEN)	C (CLOSE)	D	E	Weight (kg)(BW)
2"	51	146	530	498	250		23
3"	76	178	590	550	300		33
4"	102	216	720	630	450		50
6"	152	279	970	900	600		165
8"	200	330	1260	1190		1215	270
10"	248	394	1465	1355		1390	370
12"	298	419	1670	1540		1605	530

Class 900# FIG 6900 PSA  
DIMENSIONS AND WEIGHTS

Size inch	d	A RF&BW	B (OPEN)	C (CLOSE)	D	E	Weight (kg)(BW)
2"	47	184	598	563	350		38
3"	73	190	623	645	500		65
4"	98	229	720	674	600		115
6"	146	305	1055	980		1015	350
8"	191	368	1412	1316		1361	630
10"	238	419	1615	1495		1540	1010
12"	282	483	1845	1705		1780	1410

**STANDARDS:**

Design	ANSI B16.34&BS 1873
Test	API 598
Face to Face Dimensions	ANSI B16.10
End Flange Dimensions	ANSI B16.5
Butt-Weld Ends	ANSI B16.25

Other Sizes: On request

BW: Butt Weld

Class 600lb Sizes 8" and larger the use of gear actuator is recommended

Class 900lb Sizes 6" and larger the use of gear actuator is recommended

**AVAILABLE OPTIONS:**

STRUCTURE	End, Connection:	Flange Raised Face, Butt Weld, RTJ...
	Seat Rings:	Threaded (Renewable), Welded
	Operation:	Handwheel, Gear, Electric, Pneumatic, Hydraulic...
MATERIALS	Body:	WCB, WC1, WC6, WC9, LCB, LCC, LC3, C5, C12, CF8, CF8M, CF3, CF3M, CF8C...
	Trims:	13%Cr, 304, 304L, 316, 316L, 321, 347, F-51, Monel...