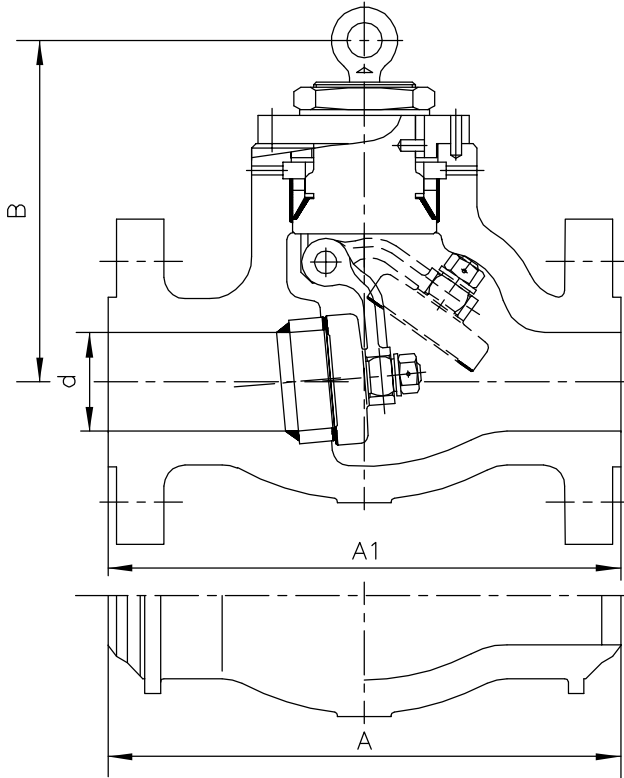


SWING CHECK VALVES—CLASS 1500~ 2500#

Size range:2" to 24"



STANDARDS:	
Design	ANSI B16.34&BS 1868
Test	API 598
Face to Face Dimensions	ANSI B16.10
End Flange Dimensions	ANSI B16.5
Butt-Weld Ends	ANSI B16.25

Class 1500# FIG 71500 PS
DIMENSIONS AND WEIGHTS

Size inch	d	A1 (RF)	A (BW)	B	Weight (Kg)(BW)
2"	47	368	216	207	24
3"	70	470	305	255	44
4"	92	546	406	270	80
6"	136	705	559	345	230
8"	178	832	711	400	343
10"	222	991	864	495	620
12"	263	1130	991	605	950
14"	289	1257	1067	650	1675
16"	330		1194	715	2570
18"	371		1537	785	3800
20"	476		1664	870	5400

Class 2500# FIG 72500 PS
DIMENSIONS AND WEIGHTS

Size inch	d	A1 (RF)	A (BW)	B	Weight (Kg)(BW)
2"	38	451	279	275	41
3"	57	578	368	295	75
4"	73	673	457	336	150
6"	111	914	610	420	305
8"	146	1022	762	490	570
10"	184	1270	914	585	734
12"	219	1422	1041	700	1250
14"	241		1118	785	1950
16"	276		1245	887	3200
18"	311		1397	1050	5500
20"	343		1575	1200	8920

Other Sizes:On request BW:Butt Weld

AVAILABLE OPTIONS:

STRUCTURE	End,Connection: Flange Raised Face,Butt Weld,RTJ...
	Seat Rings: Threaded(Renewable),Welded
MATERIALS	Body: WCB,WC1,WC6,WC9,LCB,LCC,LC3,C5,C12,CF8,CF8M,CF3,CF3M,CF8C...
	Trims: 13%Cr,304,304L,316,316L,321,347,F-51,Monel...