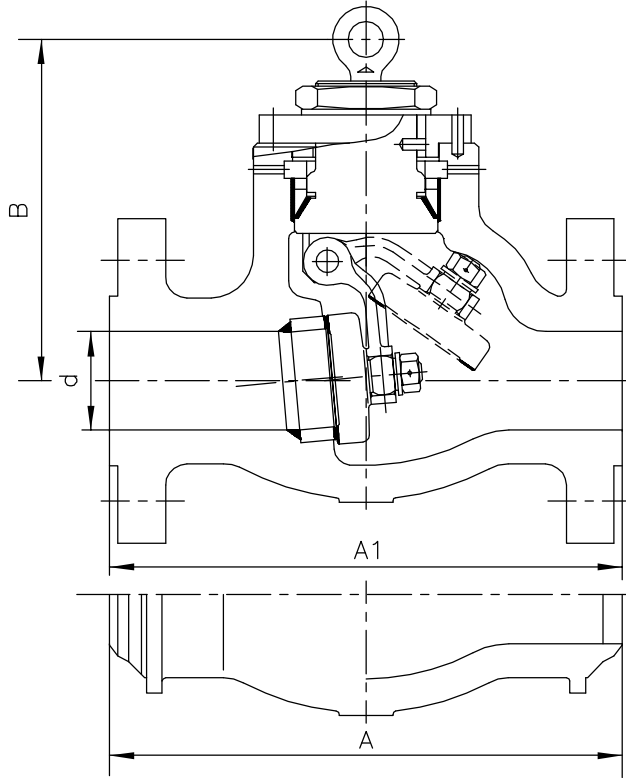


SWING CHECK VALVES—CLASS 600~ 900#

Size range: 2" to 30"



STANDARDS:	
Design	ANSI B16.34&BS 1868
Test	API 598
Face to Face Dimensions	ANSI B16.10
End Flange Dimensions	ANSI B16.5
Butt-Weld Ends	ANSI B16.25

Class 600# FIG 7600 PS
DIMENSIONS AND WEIGHTS

Size inch	d	A1 (RF)	A (BW)	B	Weight (Kg)(BW)
2"	51	292	178	190	24
3"	76	356	254	215	39
4"	102	432	305	220	48
6"	152	559	457	300	105
8"	200	660	584	375	200
10"	248	787	711	445	320
12"	298	838	813	540	480
14"	327	889	889	600	670
16"	375	991	991	670	870
18"	419	1092	1092	735	1250
20"	464	1194	1194	800	1650
24"	559	1397	1397	930	2500
30"	695	1651	1651	1180	4150

Class 900# FIG 7900 PS
DIMENSIONS AND WEIGHTS

Size inch	d	A1 (RF)	A (BW)	B	Weight (Kg)(BW)
2"	47	368	216	207	27
3"	73	381	305	260	42
4"	98	457	356	290	57
6"	146	610	508	340	110
8"	191	737	660	360	210
10"	238	838	787	450	400
12"	282	965	914	520	690
14"	311	1029	991	600	1100
16"	356	1130	1092	680	1700
18"	400	1219	1219	760	2200
20"	445	1321	1321	830	2800
24"	533	1549	1549	965	4250

Other Sizes: On request BW: Butt Weld

AVAILABLE OPTIONS:

STRUCTURE	End, Connection: Flange Raised Face, Butt Weld, RTJ...
	Seat Rings: Threaded (Renewable), Welded
MATERIALS	Body: WCB, WC1, WC6, WC9, LCB, LCC, LC3, C5, C12, CF8, CF8M, CF3, CF3M, CF8C...
	Trims: 13%Cr, 304, 304L, 316, 316L, 321, 347, F-51, Monel...