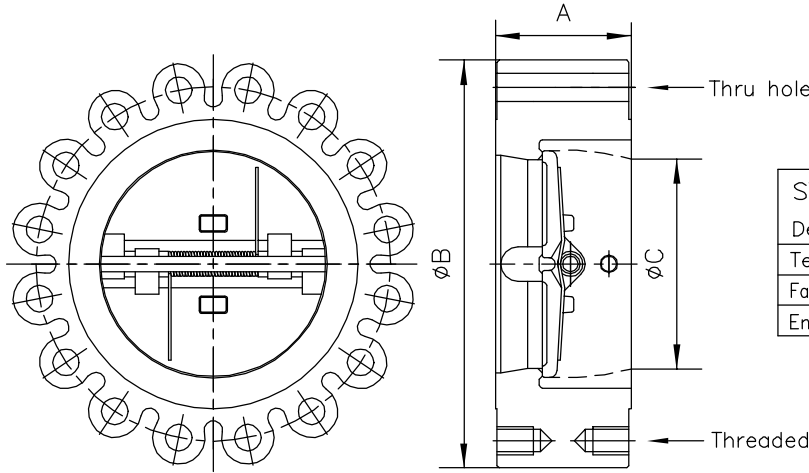


LUG STYLE VALVES – CLASS 150~2500#

Size range: 2" to 24"



STANDARDS:	
Design	API 6D & API 594
Test	API 598
Face to Face Dimensions	API 594
End Flange Dimensions	ANSI B16.5

DIMENSIONS AND WEIGHTS

Size	CLASS	A	B	C	Weight LBS. KGS	
2"	150	2.375	6.5	1.938	17	
	PN20	60.3	165.1	49.2	8	
	300	2.375	6.5	1.938	18	
	PN50	60.3	165.1	49.2	8	
	600	2.375	6.5	1.938	18	
	PN100	60.3	165.1	49.2	8	
	900	2.75	8.5	1.688	37	
	PN150	69.85	215.9	42.9	17	
	1500	2.75	8.5	1.688	37	
	PN250	69.85	215.9	42.9	17	
2.5"	150	2.625	7.5	2.344	17	
	PN20	66.68	190.5	59.53	8	
	300	2.625	7.5	2.344	22	
	PN50	66.68	190.5	59.53	10	
	600	2.625	7.5	2.344	22	
	PN100	66.68	190.5	59.53	10	
	3"	150	2.875	8.25	2.91	17
		PN20	73	209.6	73.8	8
		300	2.875	8.25	2.91	30
		PN50	73	209.6	73.8	14
600		2.875	8.25	2.91	30	
PN100		73	209.6	73.8	14	
900		3.25	9.5	2.63	57	
PN150		82.55	241.3	66.7	26	
1500		3.25	10.5	2.63	70	
PN250		82.55	266.7	66.7	32	
4"	150	2.875	9	3.83	28	
	PN20	73	228.6	97.2	13	
	300	2.875	10	3.83	36	
	PN50	73	254	97.2	16	
	600	3.125	10.75	3.83	50	
	PN100	79.4	273.1	97.2	23	
	900	4	11.5	3.44	98	
	PN150	101.6	292.1	87.3	45	
	1500	4	12.25	3.44	112	
	PN250	101.6	311.2	87.3	51	
5"	150	3.375	10	4.81	36	
	PN20	85.7	254	122.2	16	
	300	3.375	11	4.81	51	
	PN50	85.7	279.4	122.2	23	

DIMENSIONS AND WEIGHTS

Size	CLASS	A	B	C	Weight LBS. KGS	
6"	150	3.875	11	5.77	48	
	PN20	98.4	279.4	146.5	22	
	300	3.875	12.5	5.77	84	
	PN50	98.4	317.5	146.5	38	
	600	5.375	14	5.77	183	
	PN100	136.5	355.6	146.5	83	
	900	6.25	15	5.19	252	
	PN150	158.8	381	131.76	114	
	1500	6.25	15.5	5.19	262	
	PN250	158.8	393.7	131.76	119	
8"	150	6.25	19	5.19	386	
	PN420	158.8	482.6	131.76	175	
	300	5	15	7.625	135	
	PN50	127	381	193.7	61	
	600	6.5	16.5	7.625	295	
	PN100	165.1	419.1	193.7	134	
	900	8.125	18.5	6.81	441	
	PN150	206.4	470	173	200	
	1500	8.125	19	6.81	488	
	PN250	206.4	482.6	173	221	
10"	150	8.125	21.75	6.81	682	
	PN420	206.4	552.5	173	309	
	300	5.75	17.5	9.56	270	
	PN50	146	444.5	242.9	123	
	600	8.375	20	9.56	540	
	PN100	212.73	508	242.9	245	
	900	9.5	21.5	8.5	787	
	PN150	241.3	546.1	215.9	357	
	1500	9.75	23	8.5	917	
	PN250	247.65	584.2	215.9	416	
12"	1500	10	26.5	8.5	1233	
	PN420	254	673.1	215.9	559	
	1500	12	26.5	10.125	1425	
	PN250	304.8	673.1	257.2	646	
	2500	12	30	10.125	1881	
	PN420	304.8	762	257.2	853	
	14"	1500	14	29.5	11.5	2045
		PN250	355.6	749.3	292.1	928
	16"	1500	15.125	32.5	12.81	2600
		PN250	384.2	825.5	325.4	1179
18"	1500	18.44	36	13.75	3883	
	PN250	468.3	914.4	349.3	1761	
20"	1500	21	38.75	14.75	5700	
	PN250	533.4	984.25	374.7	2580	
24"	1500	22	46	15.125	7150	
	PN250	558.8	1168.4	384.2	3236	

Other dimensions same as water design.